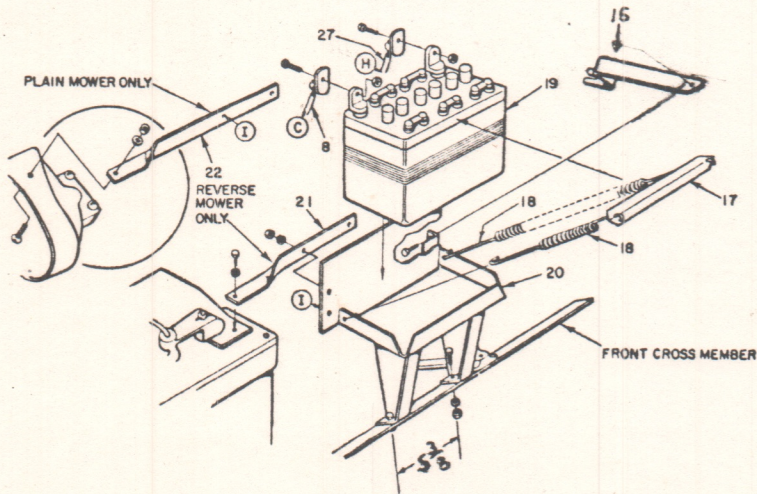
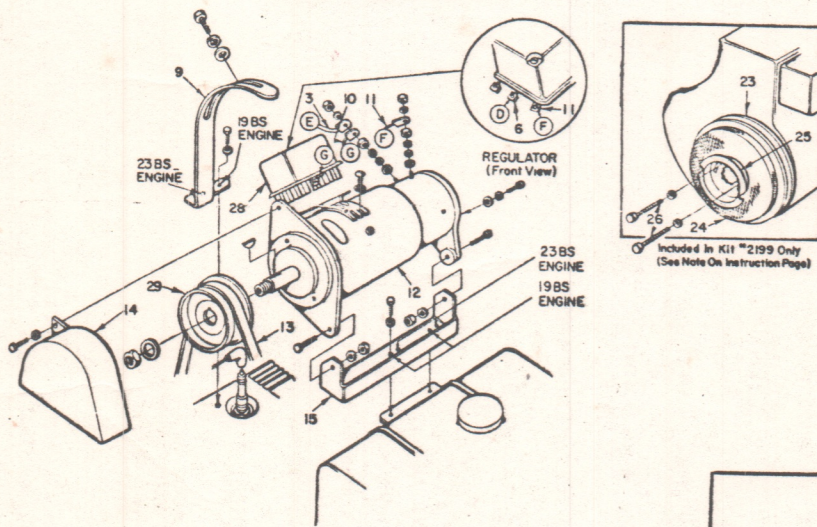
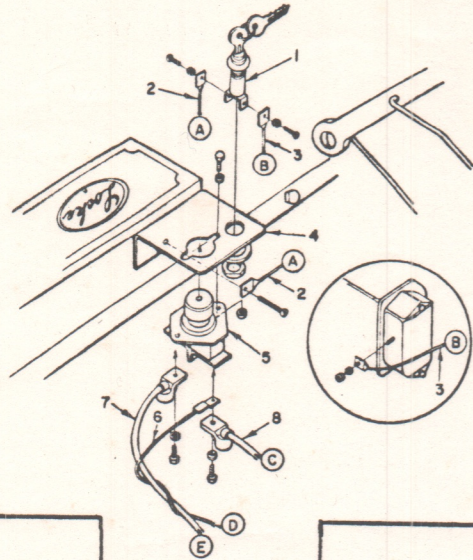


PARTS LIST FOR ELECTRIC STARTER KITS NO. 2199

Part No. 2199 (Used on 19 and 23 B & S Engines)



Key Part No.	Part No.	Part Name
1	2193	Electric Starter Lock Switch Assembly (With 2 Keys)
2	2265	Leadwire (Lock Switch to Ground)
3	2266	Leadwire (Lock Switch to Points)
4	2254	Switch Plate
5	2196	Electric Starter Switch Assembly
6	2268	Leadwire (Regulator to Generator-Battery Side)
7	2264	Battery Cable (Starter Switch to Generator)
8	2262	Battery Cable (Starter Switch to Battery)
9	2198	Starter Adjusting Strap
10	2263	Leadwire (Regulator to Generator - Battery Terminal)
11	2269	Leadwire (Regulator to Generator - Field Terminal)
12	2197	Motor Generator
13	2252-1	V-Belt
14	2253	Belt Guard
15	2280	Generator Support Bracket
16	2259	Support Bracket
17	2257	Hot Down Bracket
18	2258	Spring (Two Required)
19	2255	Battery (Not Furnished with Kits)
20	2256	Battery Case
21	2260	Support Bracket (For Reverse Mowers)
22	2261	Support Bracket (For Plain Mowers)
23	2270	V-Belt Fan Pulley
25	2273	Narrow Rope Starter Pulley
26	2277	Fan Pulley Screws (Two Required w/Lockwashers)
27	2264	Cable (Battery to Ground)
28	2201	Regulator
29	2279	Pulley

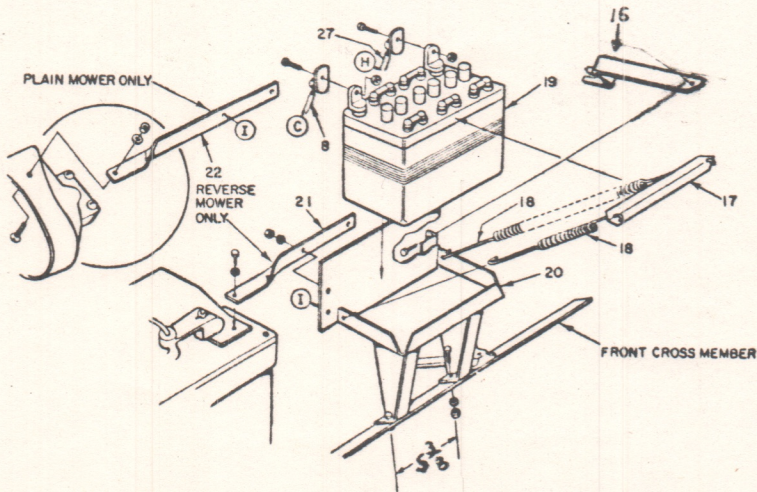
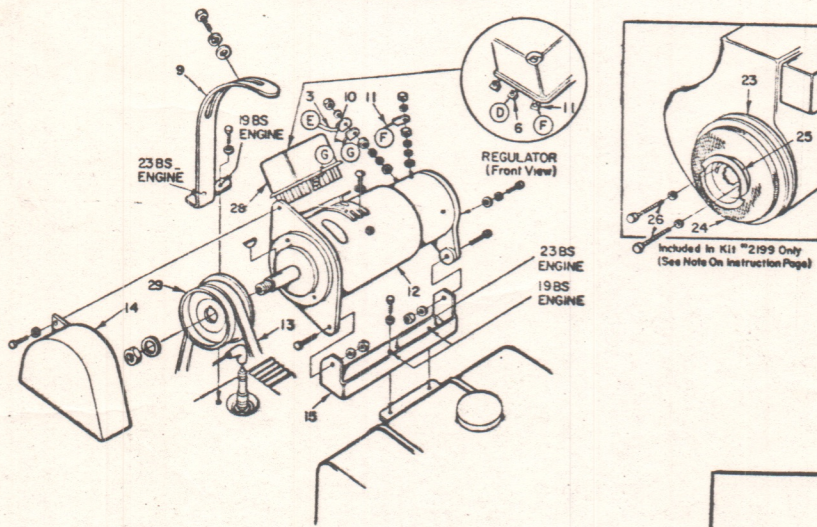
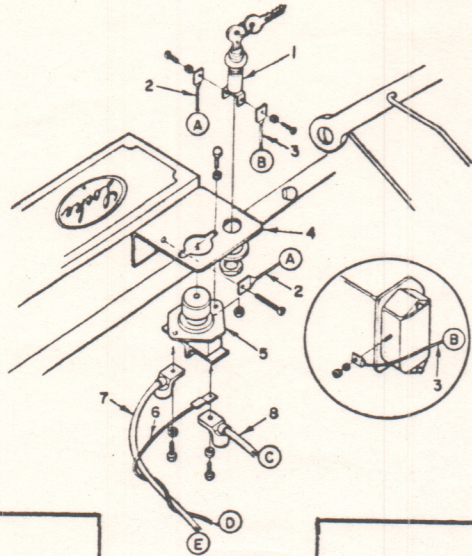


LOCKE-DEVERE DIVISION

LOCKE MANUFACTURING COMPANIES, INC. BRIDGEPORT, CONN. 06601

PARTS LIST FOR ELECTRIC STARTER KITS NO. 2199

Part No. 2199 (Used on 19 and 23 B & S Engines)



Key Part No.	No.	Part Name
1	2193	Electric Starter Lock Switch Assembly (With 2 Keys)
2	2265	Leadwire (Lock Switch to Ground)
3	2266	Leadwire (Lock Switch to Points)
4	2254	Switch Plate
5	2196	Electric Starter Switch Assembly
6	2268	Leadwire (Regulator to Generator-Battery Side)
7	2264	Battery Cable (Starter Switch to Generator)
8	2262	Battery Cable (Starter Switch to Battery)
9	2198	Starter Adjusting Strap
10	2263	Leadwire (Regulator to Generator - Battery Terminal)
11	2269	Leadwire (Regulator to Generator - Field Terminal)
12	2197	Motor Generator
13	2252-1	V-Belt
14	2253	Belt Guard
15	2280	Generator Support Bracket
16	2259	Support Bracket
17	2257	Hot Down Bracket
18	2258	Spring (Two Required)
19	2255	Battery (Not Furnished with Kits)
20	2256	Battery Case
21	2260	Support Bracket (For Reverse Mowers)
22	2261	Support Bracket (For Plain Mowers)
23	2270	V-Belt Fan Pulley
25	2273	Narrow Rope Starter Pulley
26	2277	Fan Pulley Screws (Two Required w/Lockwashers)
27	2264	Cable (Battery to Ground)
28	2201	Regulator
29	2279	Pulley



LOCKE-DEVERE DIVISION

LOCKE MANUFACTURING COMPANIES, INC. BRIDGEPORT, CONN. 06601