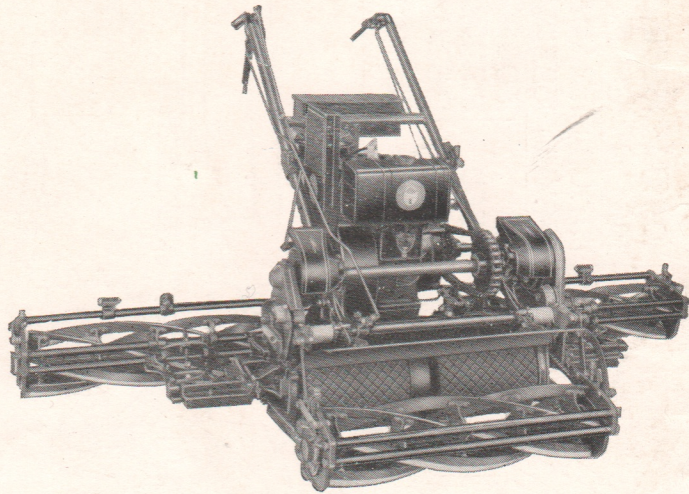
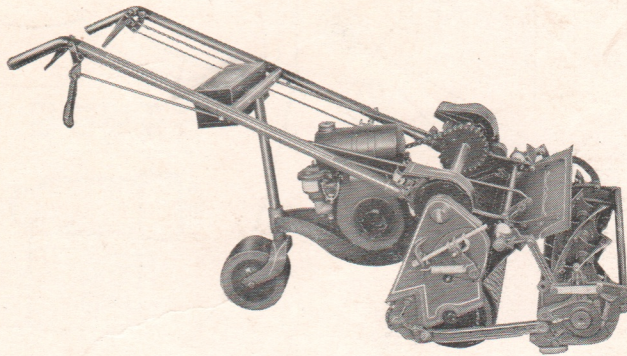


POWER LAWN MOWERS



Manufactured by

THE LOCKE STEEL CHAIN CO.

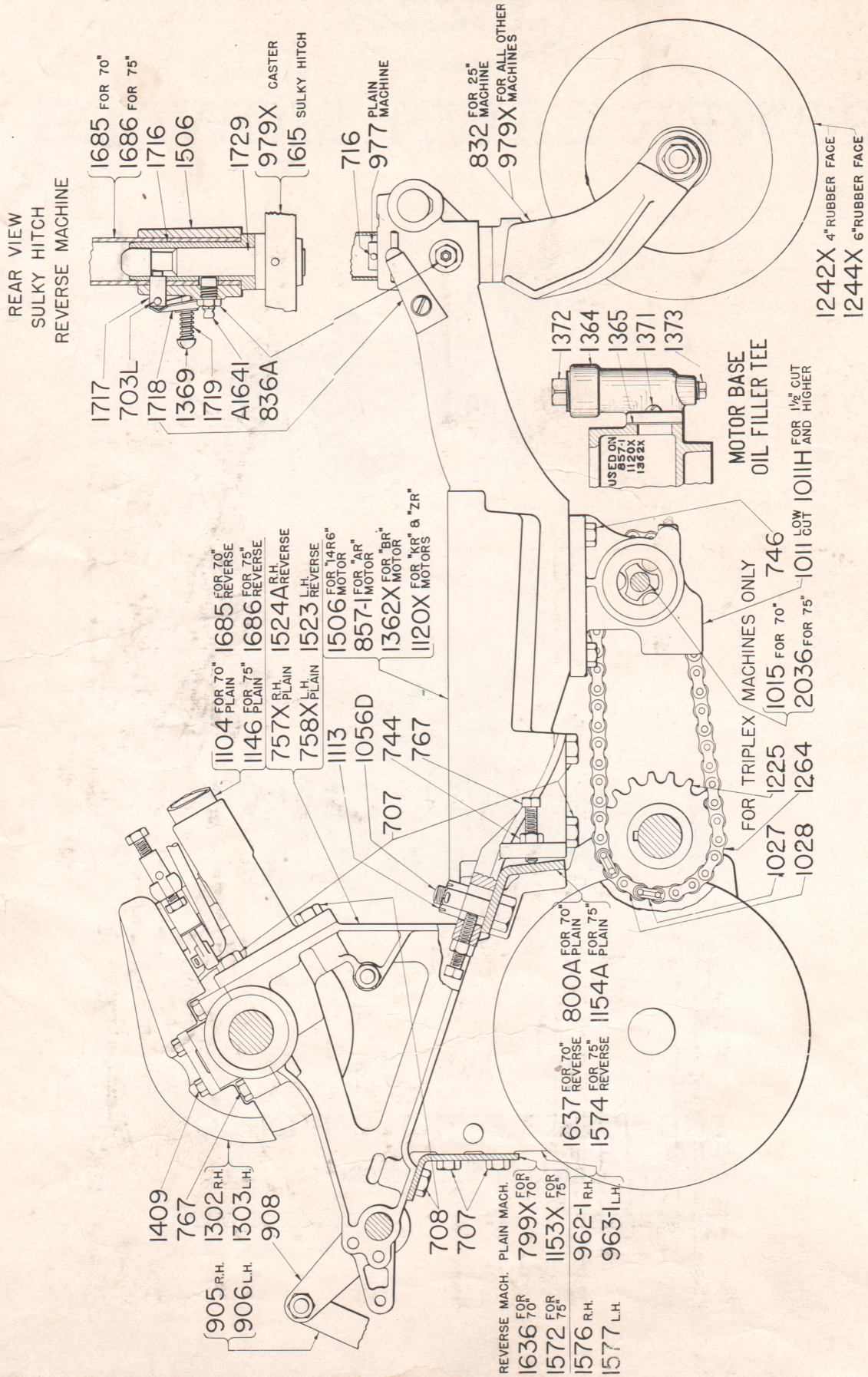
LAWN MOWER DIVISION

BRIDGEPORT - - - - CONNECTICUT

Plate 1
 March 1, 1950

THE LOCKE STEEL CHAIN COMPANY
 LAWN MOWER DIVISION
 Bridgeport, Conn.

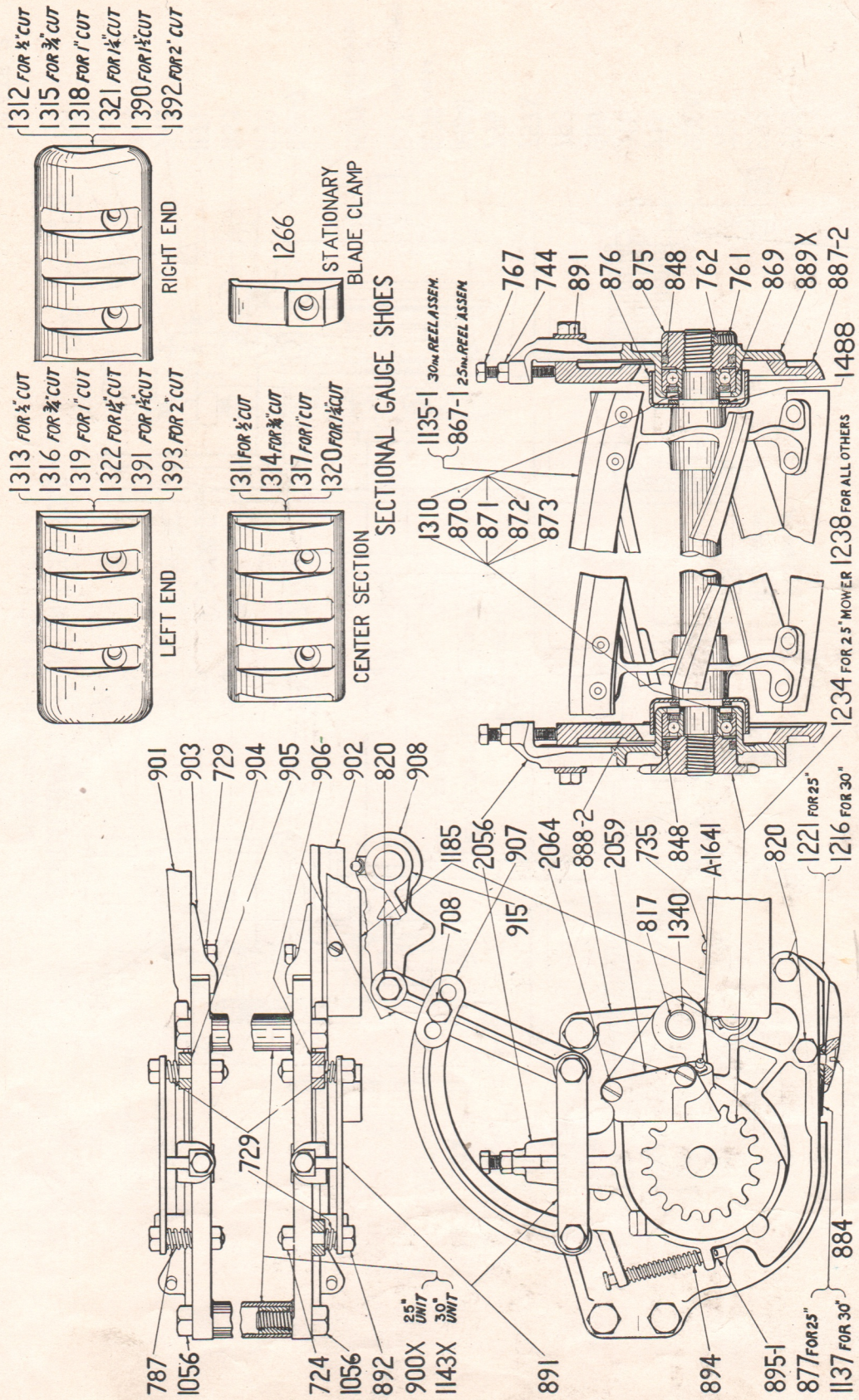
Always give Serial Number of Mowers when ordering Parts



CHASSIS ASSEMBLY

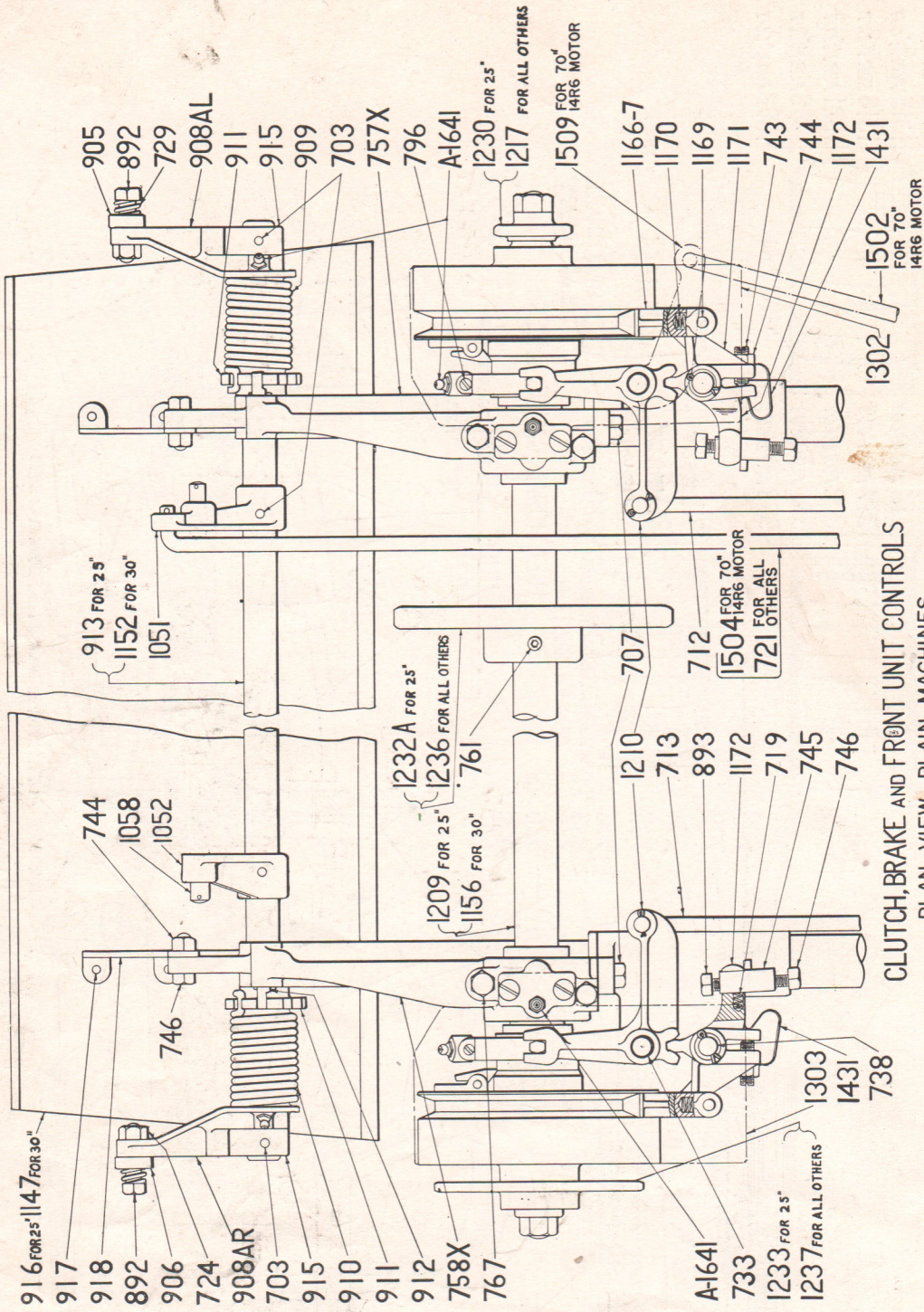
PLATE 1

Always give Serial Number of Mowers when ordering Parts



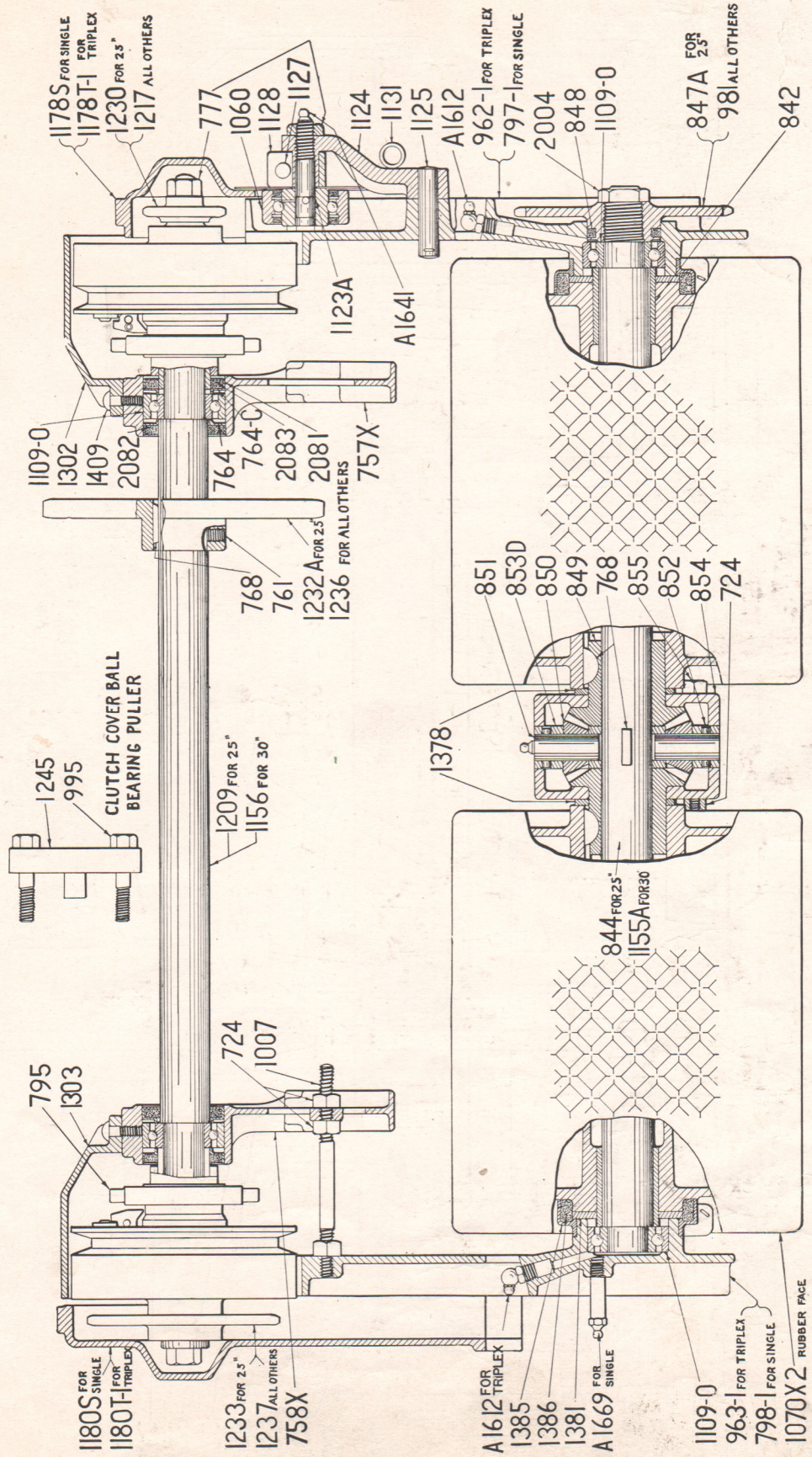
THE LOCKE STEEL CHAIN COMPANY
LAWN MOWER DIVISION
Bridgeport, Conn.

Always give Serial Number of Mowers when ordering Parts



CLUTCH, BRAKE AND FRONT UNIT CONTROLS
PLAN VIEW, PLAIN MACHINES

Always give Serial Number of Mowers when ordering Parts

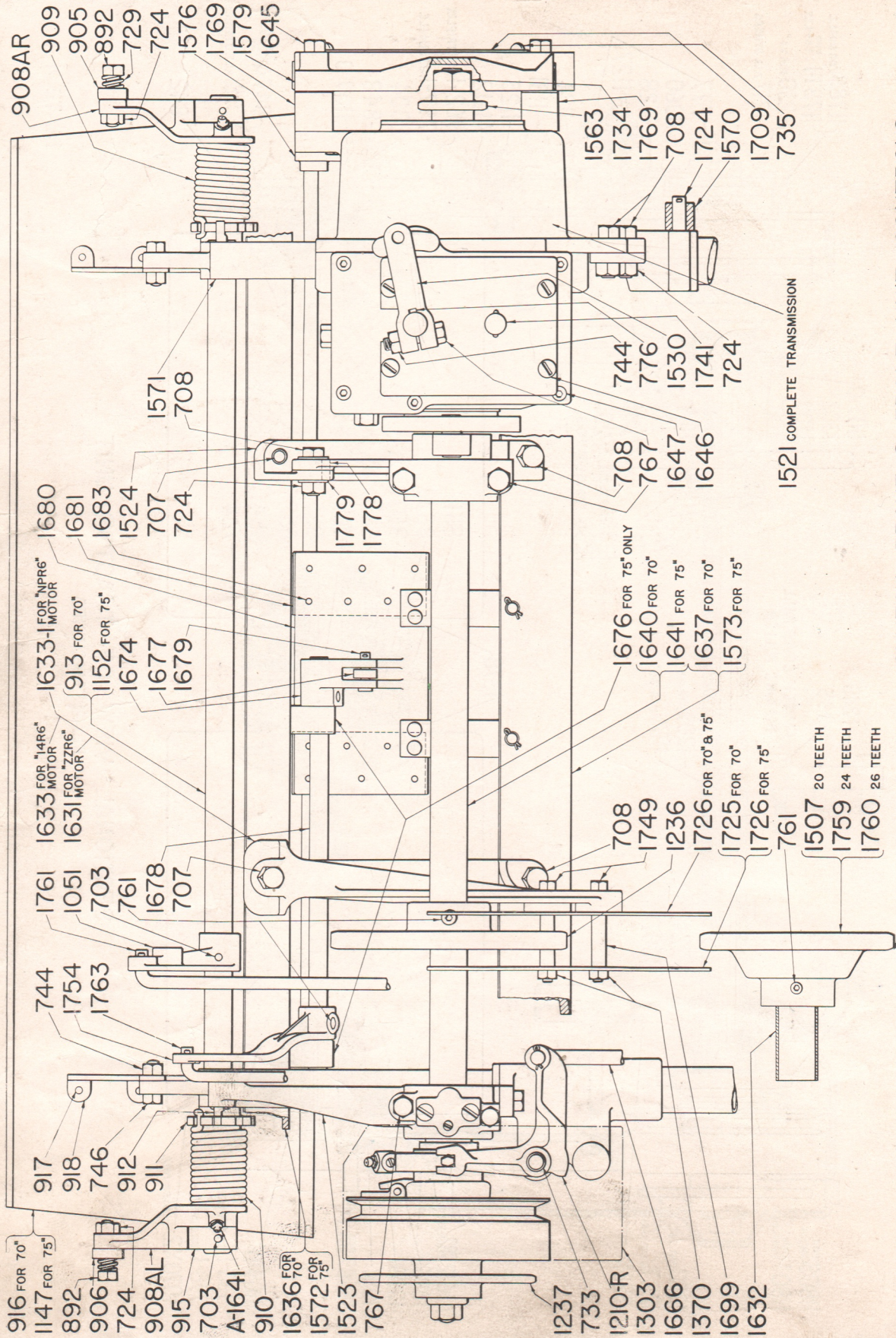


SECTIONAL VIEW OF TRACTOR UNIT
PLAIN MACHINES

Plate 5
March 1, 1950

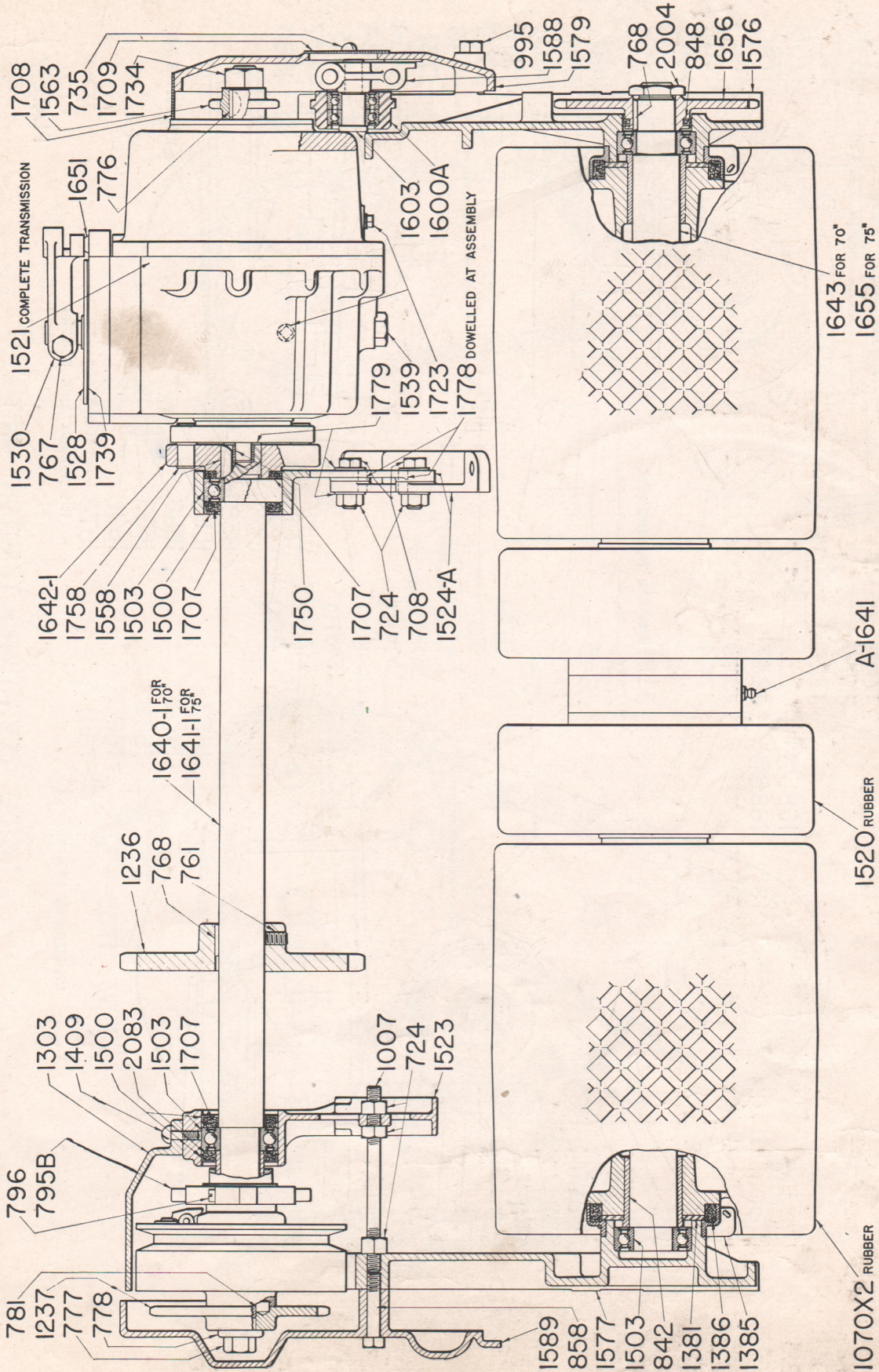
THE LOCKE STEEL CHAIN COMPANY
LAWN MOWER DIVISION
Bridgeport, Conn.

Always give Serial Number of Mowers when ordering Parts



CLUTCH, BRAKE & FRONT UNIT CONTROLS
PLAN VIEW - REVERSE MACHINES
PLATE 5

Always give Serial Number of Mowers when ordering Parts



SECTIONAL VIEW OF TRACTOR UNIT
REVERSE MACHINE

Plate 7
March 1, 1950

THE LOCKE STEEL CHAIN COMPANY
LAWN MOWER DIVISION
Bridgeport, Conn.

Always give Serial Number of Mowers when ordering Parts

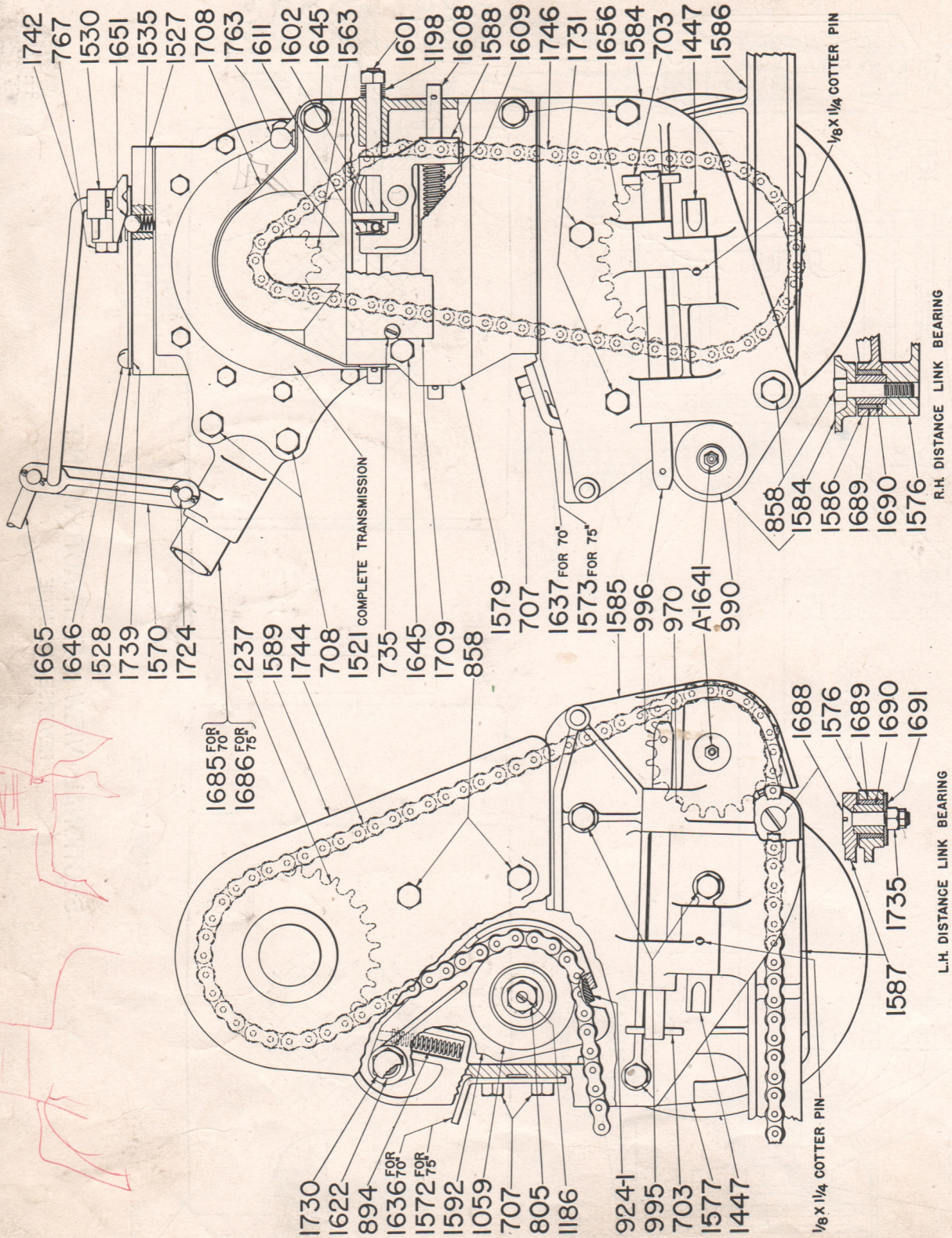


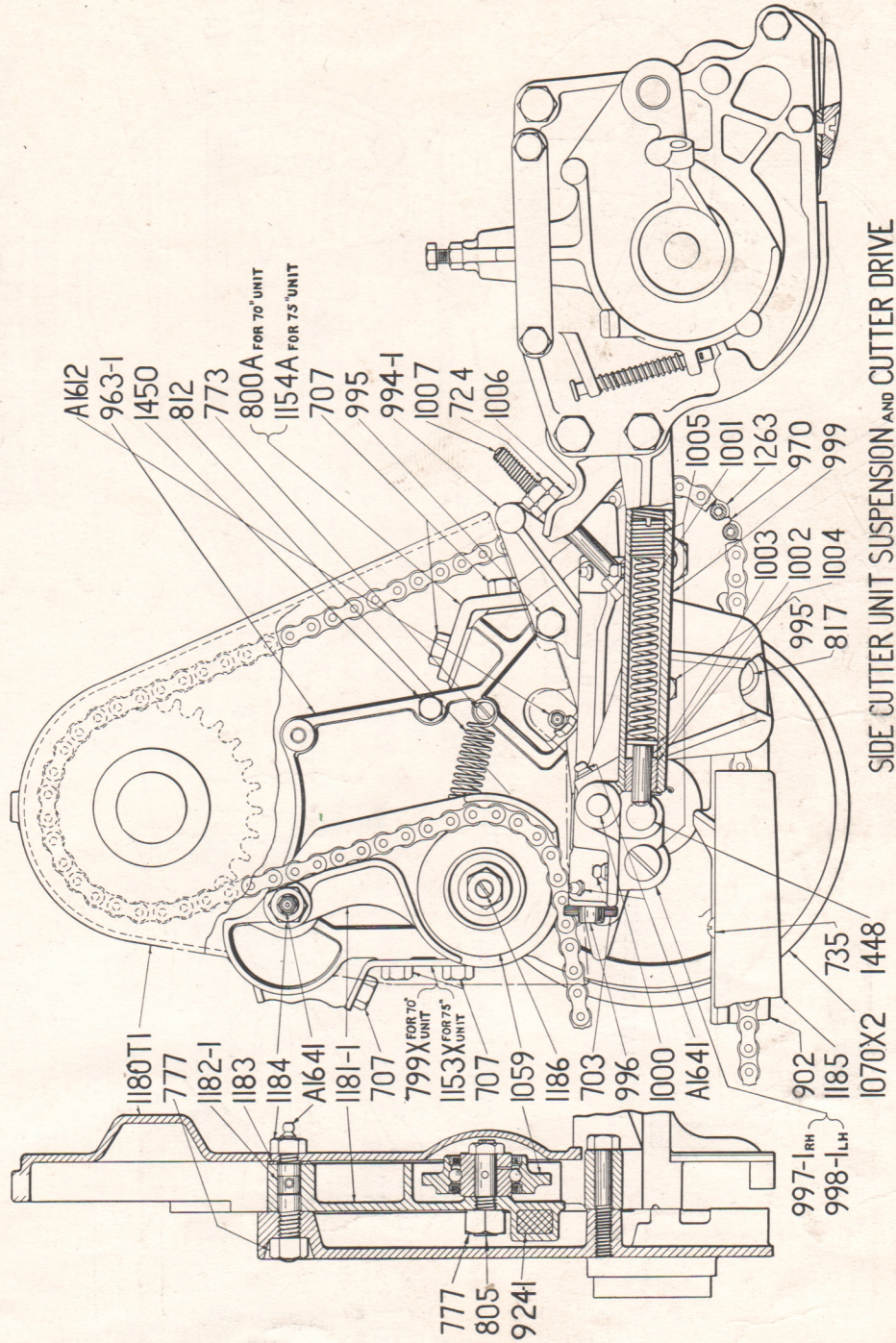
PLATE 7

**SIDE ELEVATION - TRACTOR UNIT
REVERSE MACHINE**

THE LOCKE STEEL CHAIN COMPANY
LAWN MOWER DIVISION
Bridgeport, Conn.

Plate 8
March 1, 1950

Always give Serial Number of Mowers when ordering Parts



A162
963-1
1450
812
773

800A FOR 70 UNIT
1154A FOR 75 UNIT

707
995
994-1
1007
724
1006

1005
1001
1263
970
999
1003
1002
1004
995
817

SIDE CUTTER UNIT SUSPENSION AND CUTTER DRIVE
PLAIN MACHINE

1180T1
777
1182-1
1183
1184
A1641
1181-1
707

799X FOR 70 UNIT
1153X FOR 75 UNIT

707
1059
1186
703
996
1000
A1641

997-1RH
998-1LH

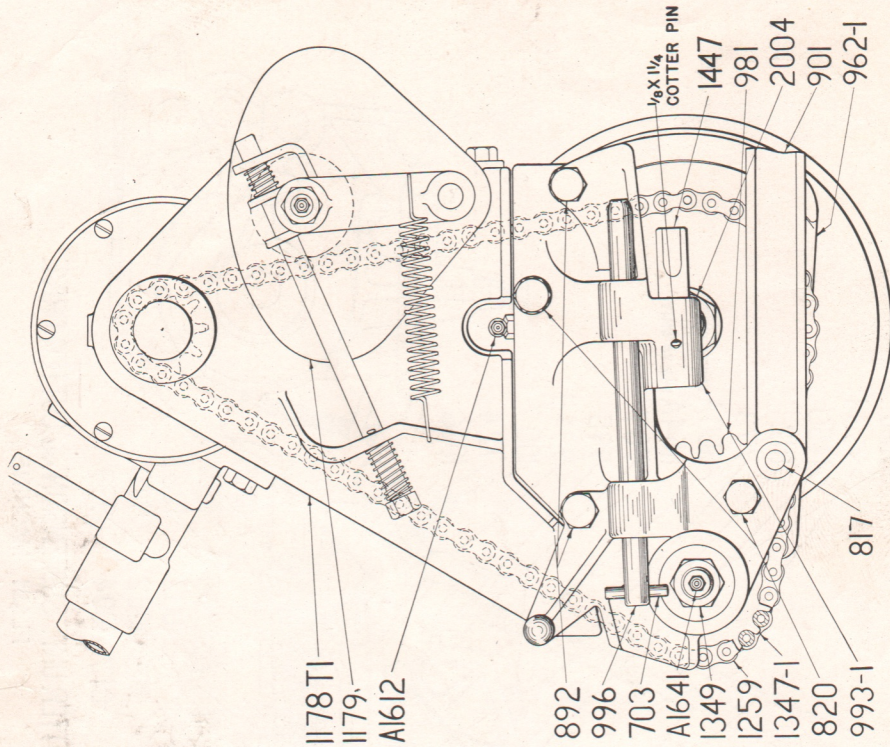
777
805
9241

902
1185
1070X2
1448
735

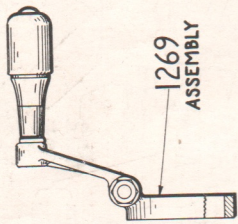
PLATE 8

THE LOCKE STEEL CHAIN COMPANY
 LAWN MOWER DIVISION
 Bridgeport, Conn.

Always give Serial Number of Mowers when ordering Parts

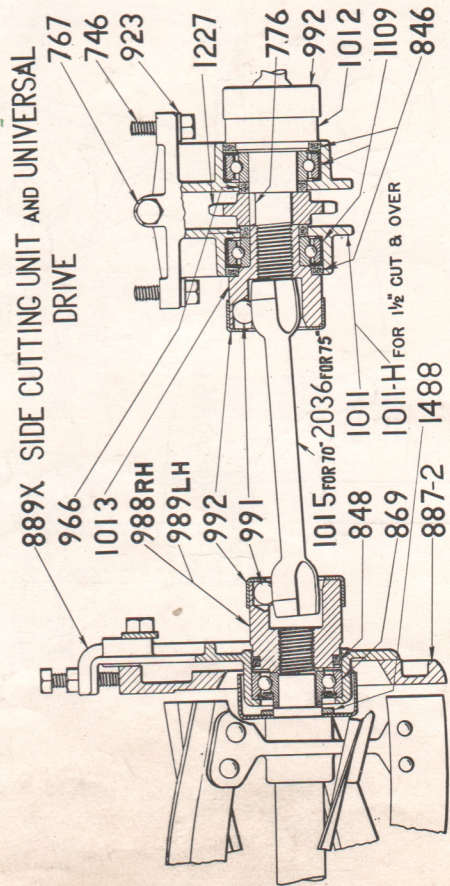


TRACTOR DRIVE AND SIDE UNIT
 BRACKET FOR TRIPLEX-PLAIN MACHINE
 PLATE 9



1269
 ASSEMBLY

REEL LAPPING CRANK



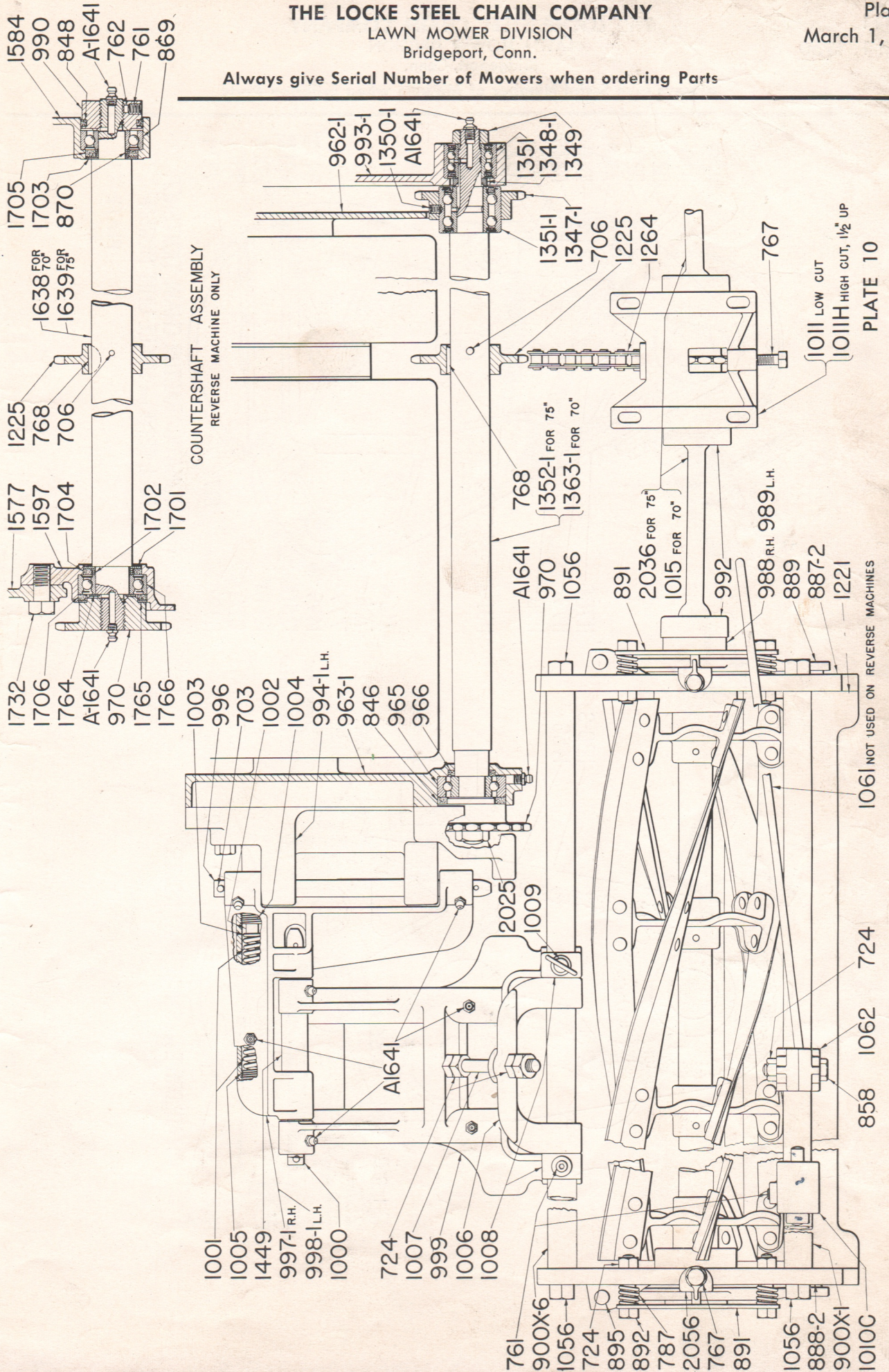
889X SIDE CUTTING UNIT AND UNIVERSAL
 DRIVE

THE LOCKE STEEL CHAIN COMPANY

LAWN MOWER DIVISION
Bridgeport, Conn.

Plate 10
March 1, 1950

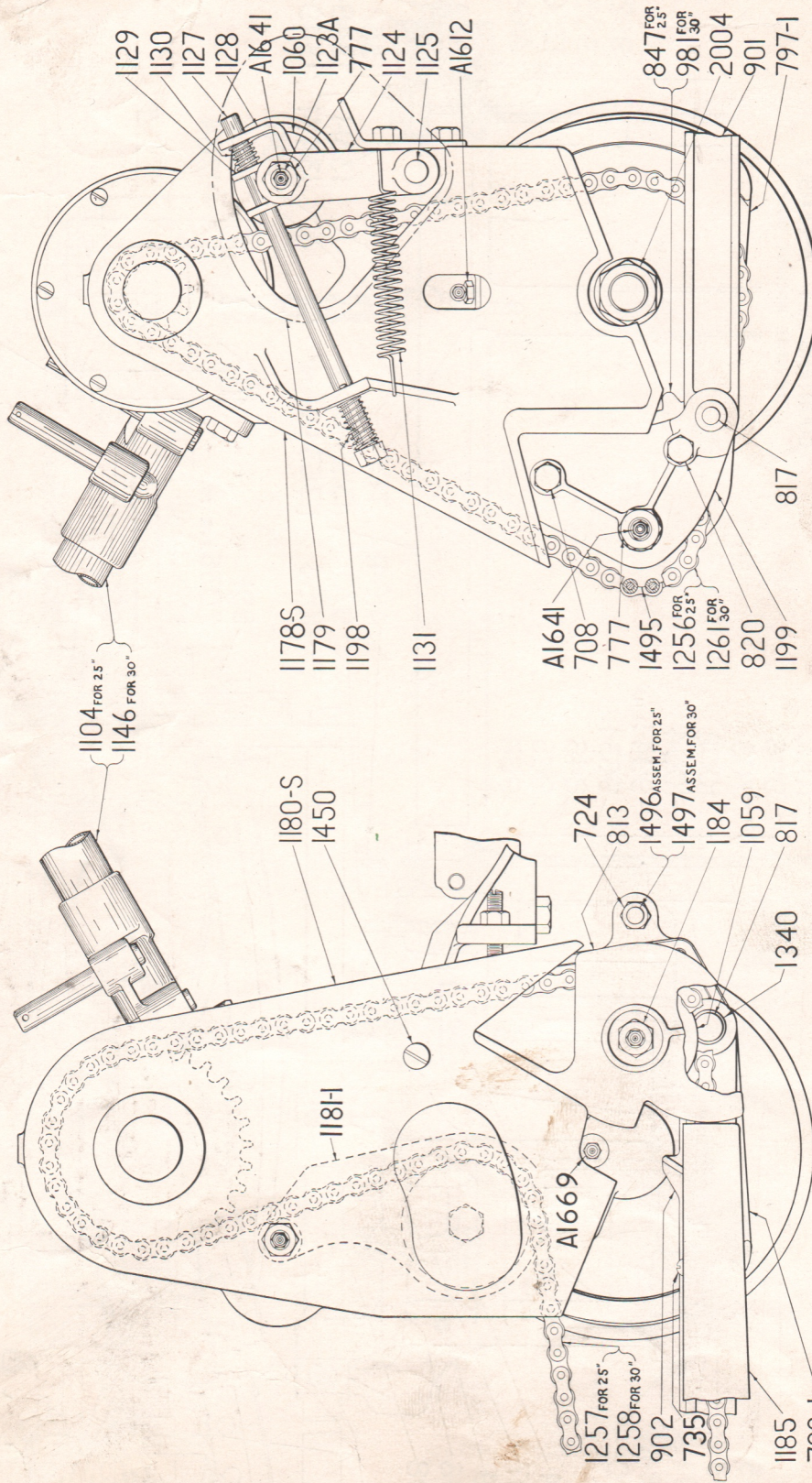
Always give Serial Number of Mowers when ordering Parts



PLAN OF SIDE UNIT SUSPENSION & DRIVE

THE LOCKE STEEL CHAIN COMPANY
LAWN MOWER DIVISION
Bridgeport, Conn.

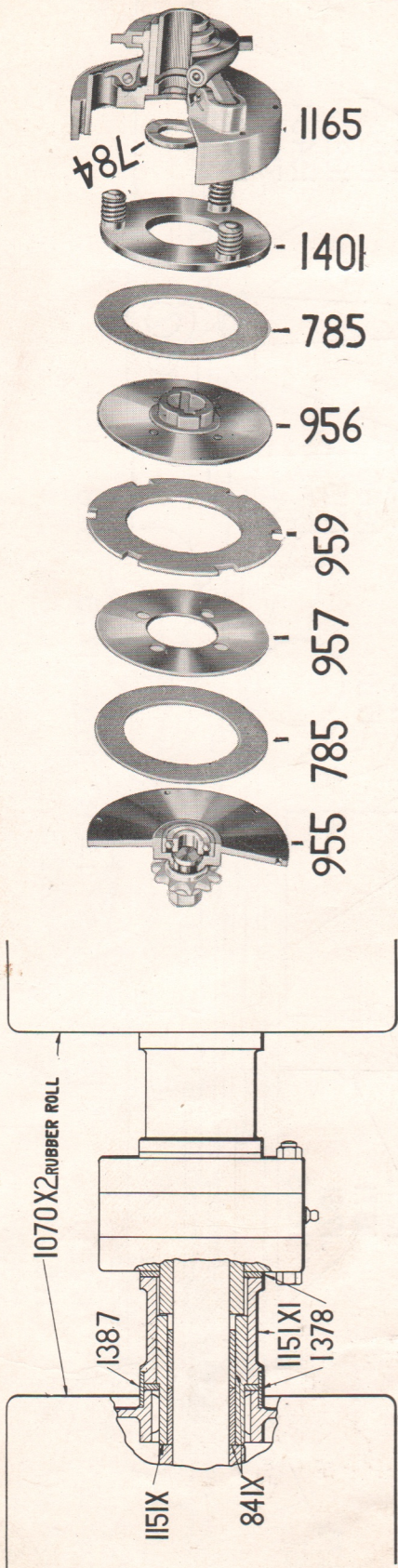
Always give Serial Number of Mowers when ordering Parts



**AUTOMATIC TRACTOR CHAIN TIGHTENER
AND ROLL DRIVE FOR SINGLE UNIT MOWER**

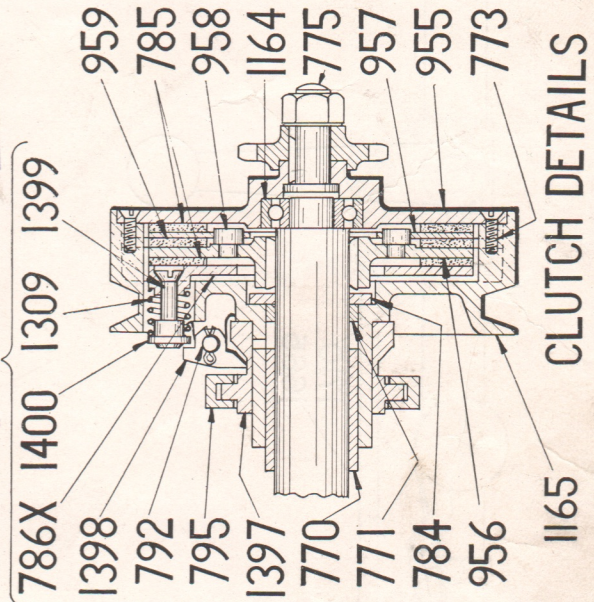
CUTTER DRIVE FOR SINGLE UNIT MOWER

Always give Serial Number of Mowers when ordering Parts

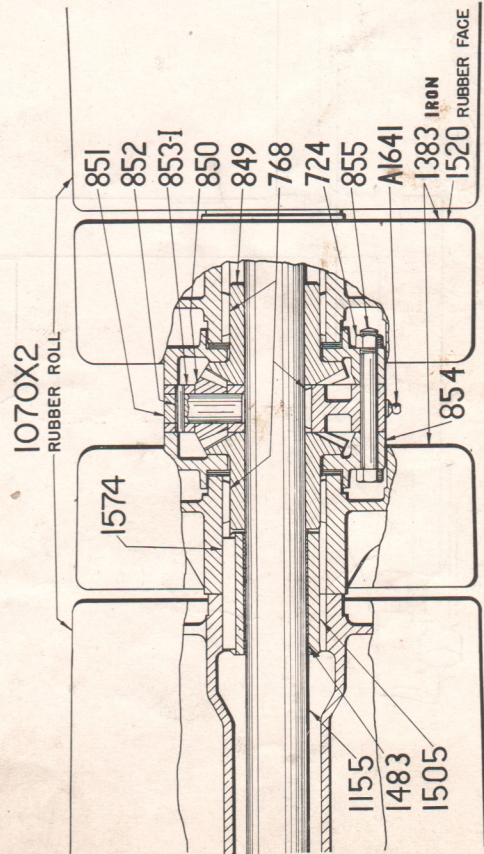


30" TWO SECTION DIFFERENTIAL ASSEMBLY

ASSEMBLY - 140I-AR MOTOR 140I-X ALL OTHERS



CLUTCH DETAILS

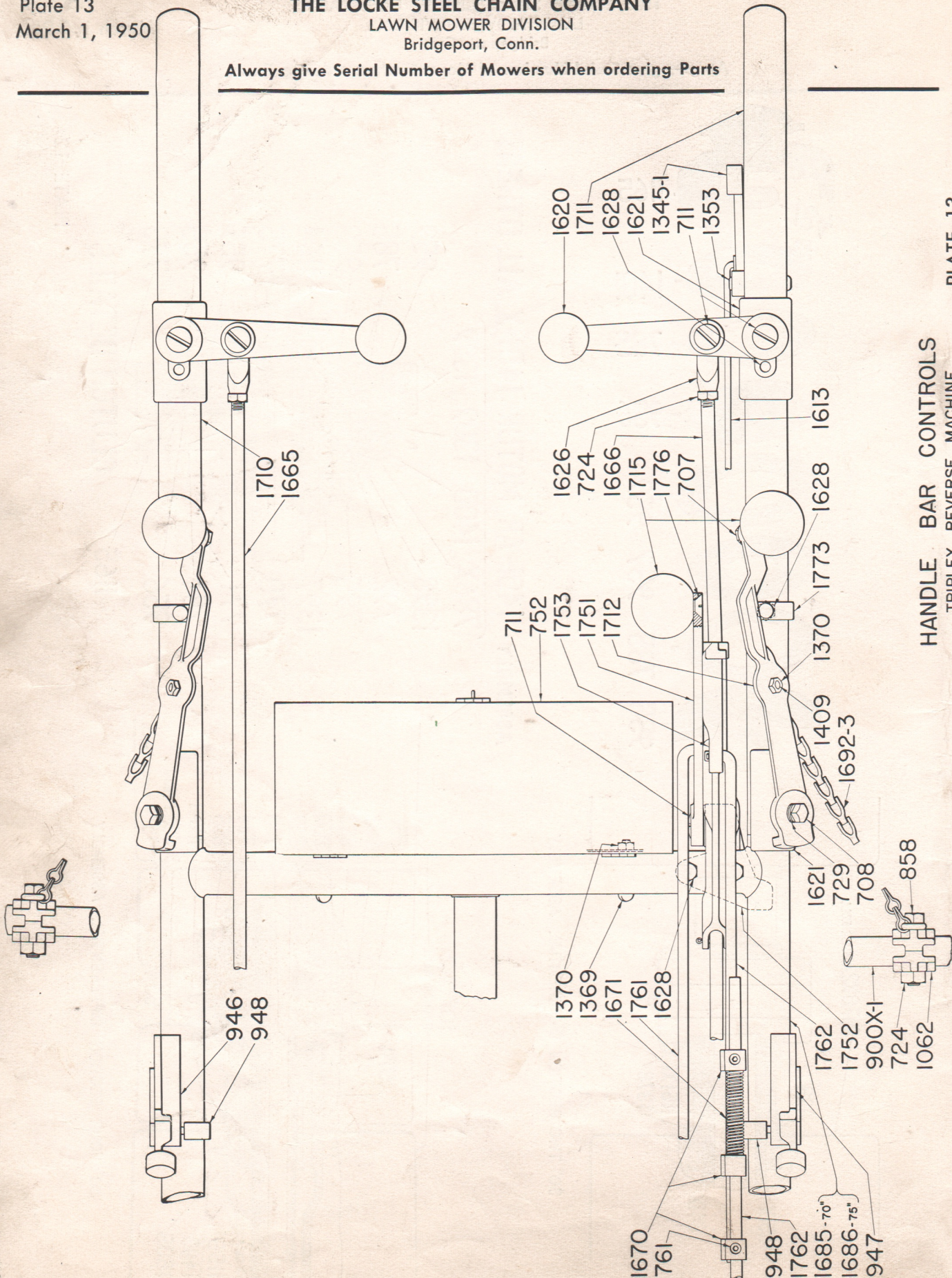


30" FOUR SECTION DIFFERENTIAL ASSEMBLY

Plate 13
March 1, 1950

THE LOCKE STEEL CHAIN COMPANY
LAWN MOWER DIVISION
Bridgeport, Conn.

Always give Serial Number of Mowers when ordering Parts



HANDLE BAR CONTROLS
TRIPLEX REVERSE MACHINE

Always give Serial Number of Mowers when ordering Parts

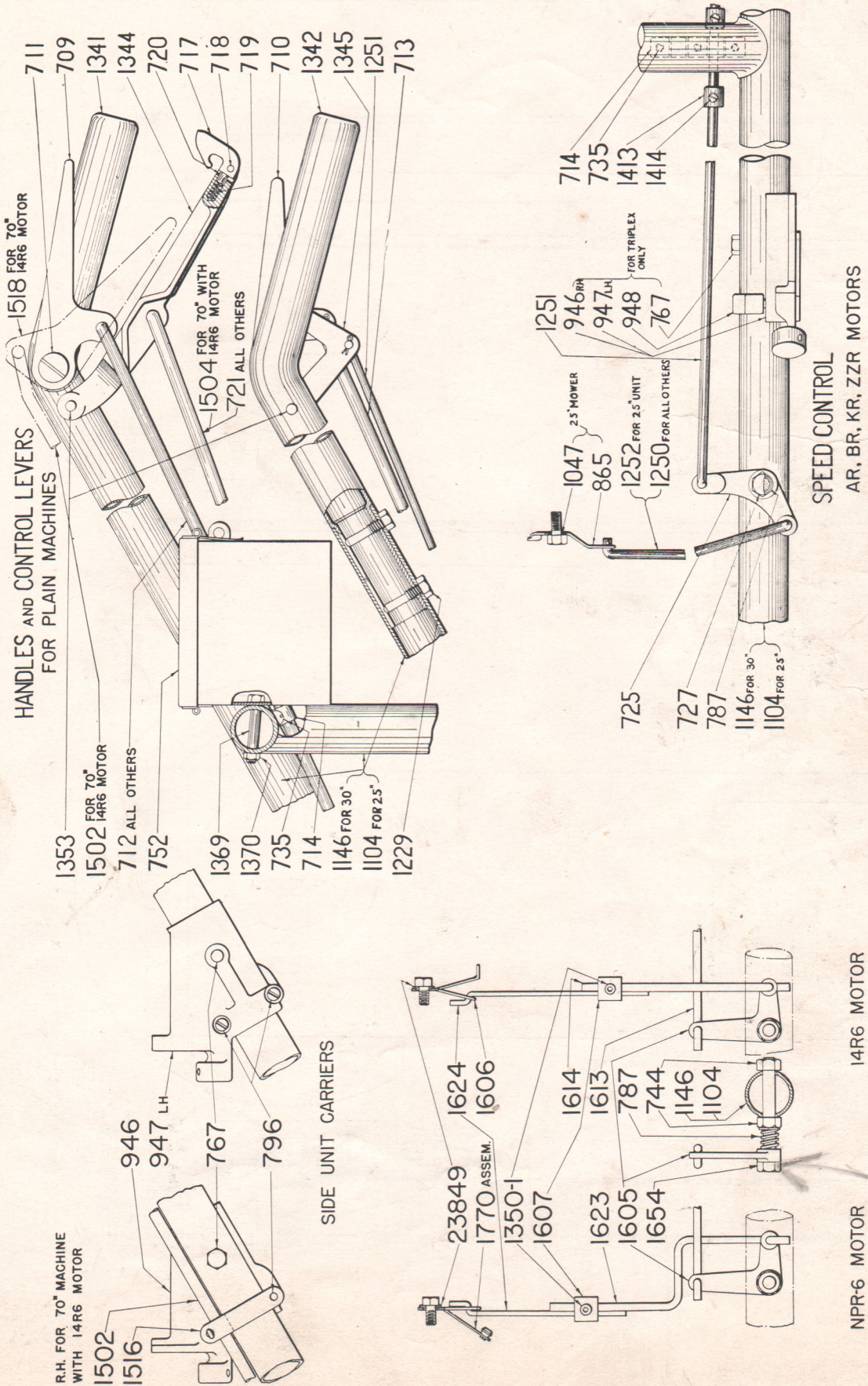


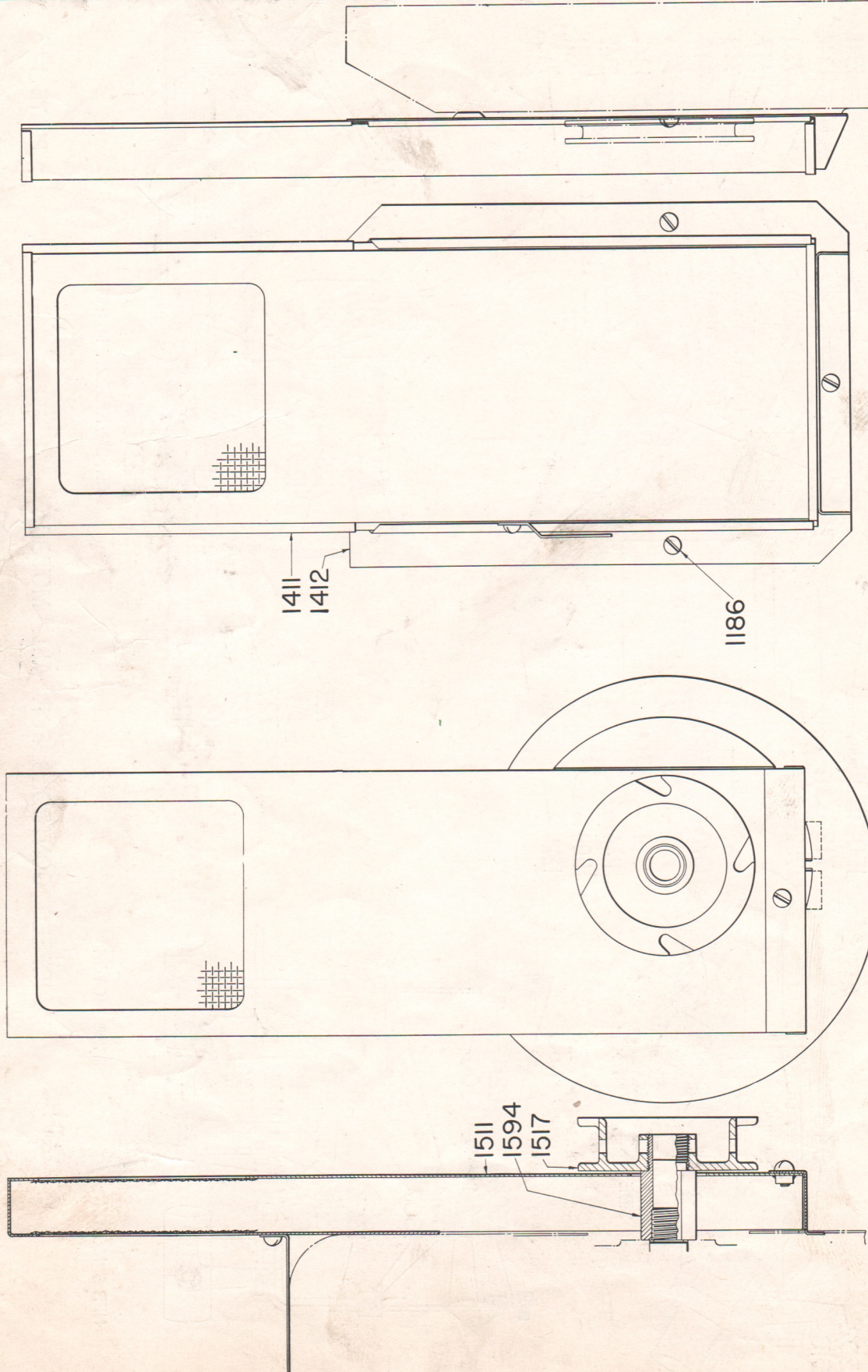
PLATE 14

SPEED CONTROLS FOR ALL MOTORS

Plate 15
March 1, 1950

THE LOCKE STEEL CHAIN COMPANY
LAWN MOWER DIVISION
Bridgeport, Conn.

Always give Serial Number of Mowers when ordering Parts



FOR AR, BR, KR, ZZR MOTORS

FOR 14R6 MOTOR

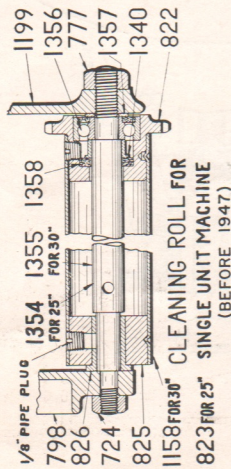
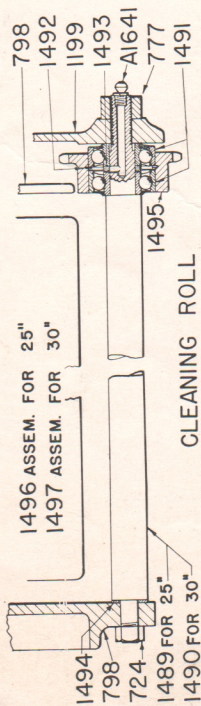
SCREENED BLOWER INTAKE STACK

PLATE 15

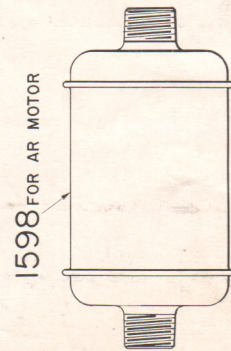
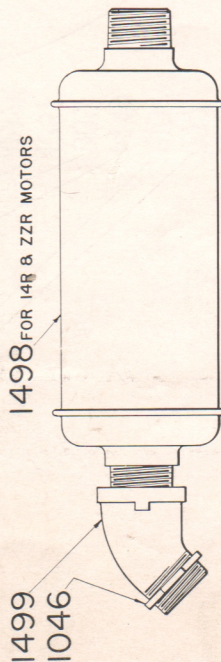
THE LOCKE STEEL CHAIN COMPANY
LAWN MOWER DIVISION
Bridgeport, Conn.

Plate 16
March 1, 1950

Always give Serial Number of Mowers when ordering Parts



ASSEMBLIES REPLACED BY 1496 & 1497 SHOWN ABOVE



MUFFLERS

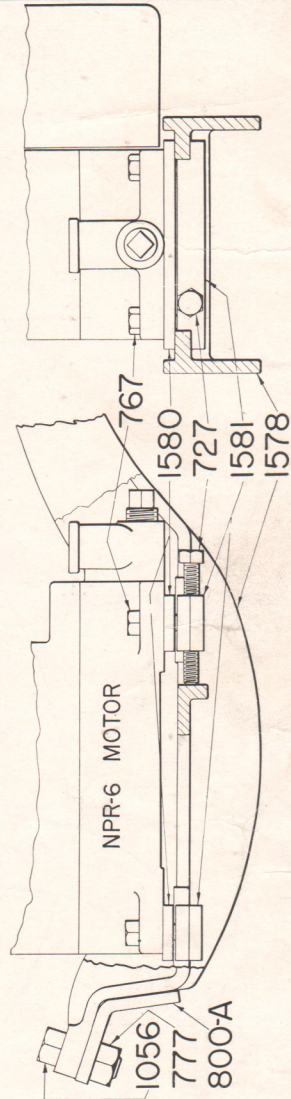
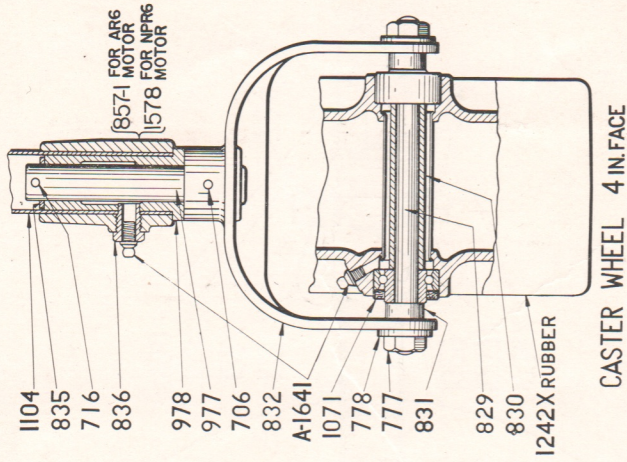
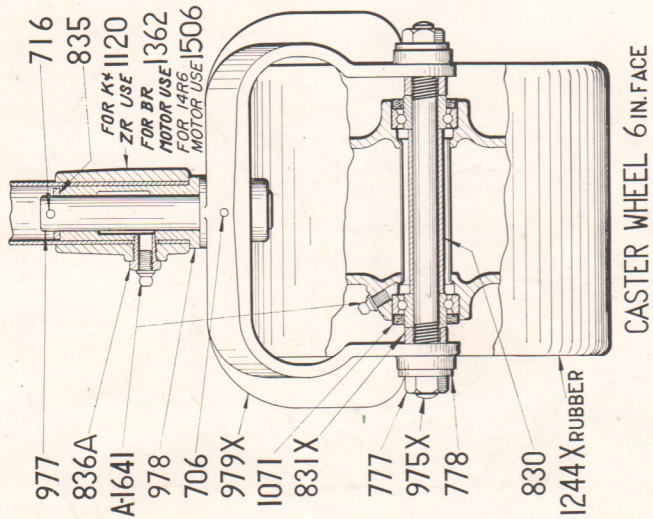
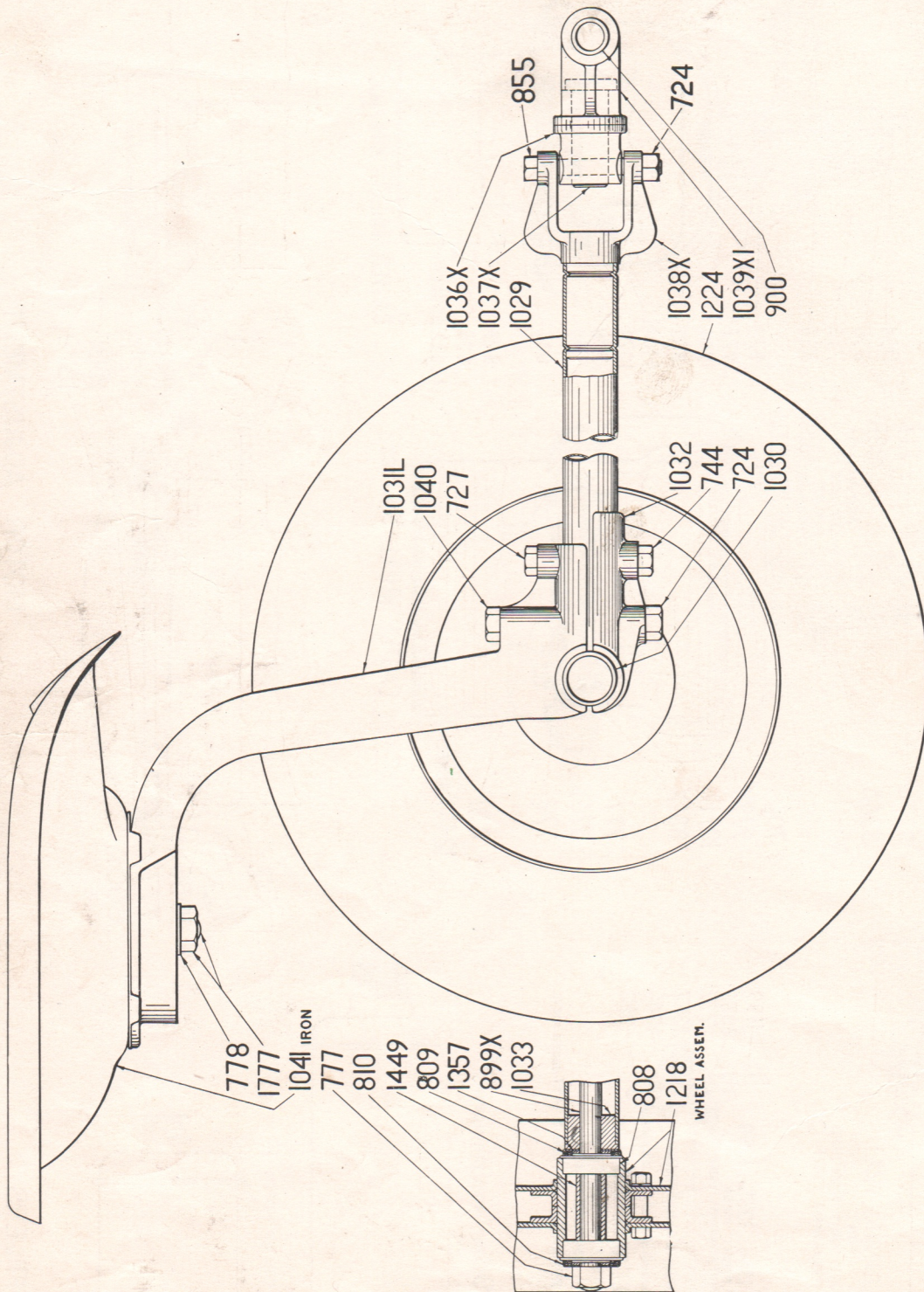


PLATE 16

Plate 17
March 1, 1950

THE LOCKE STEEL CHAIN COMPANY
LAWN MOWER DIVISION
Bridgeport, Conn.

Always give Serial Number of Mowers when ordering Parts



SULKY
PLAIN MACHINES

PLATE 17

Always give Serial Number of Mowers when ordering Parts

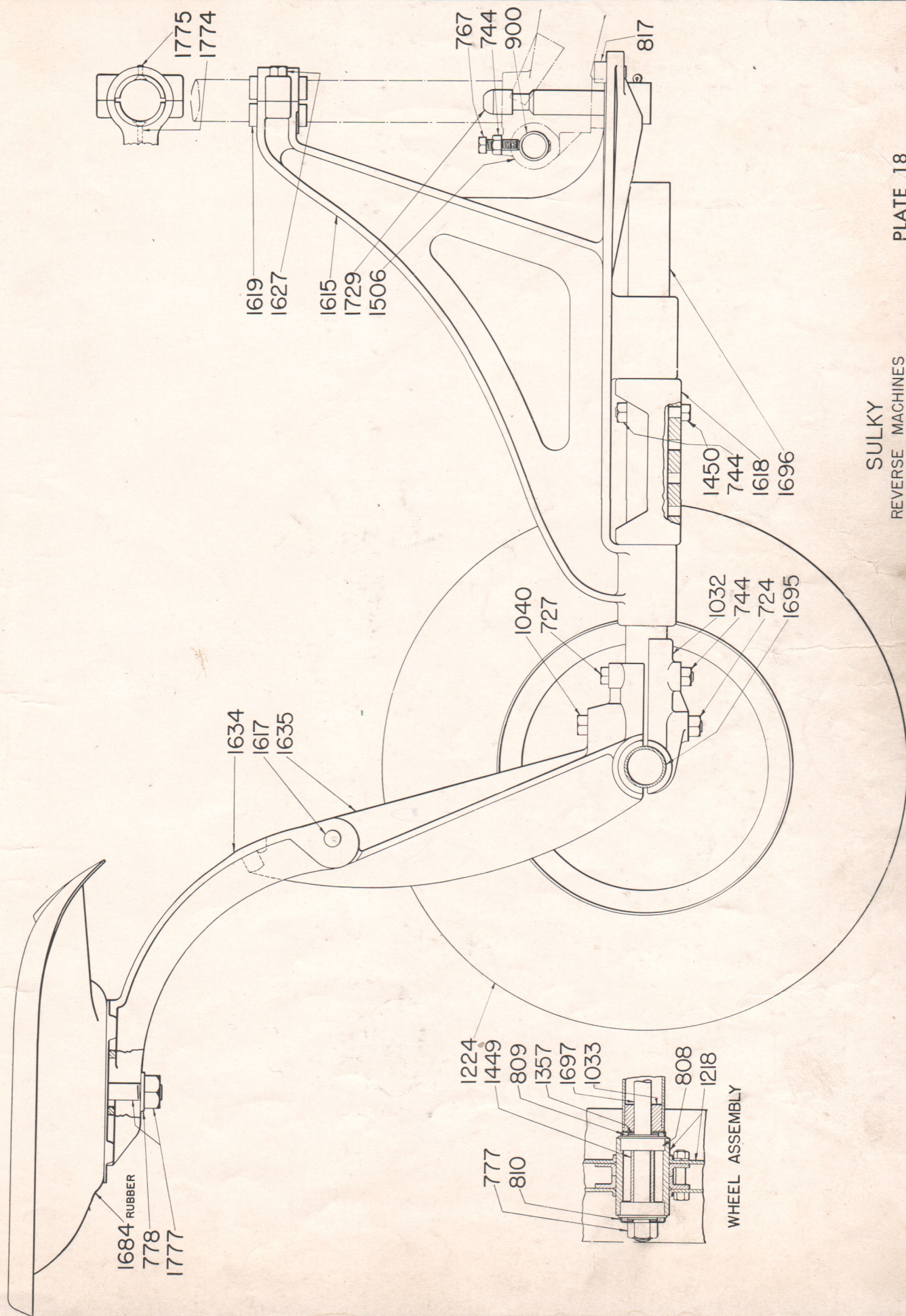


PLATE 18

SULKY
REVERSE MACHINES